

DI SERIES

# DI551ST2

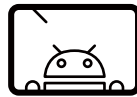
55" Ultra-thin Fanless Digital Signage Display



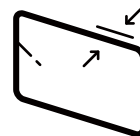
IP5X  
DUST RESISTANT



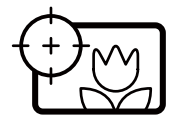
FANLESS



BUILT-IN  
MEDIA PLAYER



ULTRA-THIN  
PROFILE



TRUECOLOR™  
CALIBRATED

## FOR MORE INFORMATION

For more information about DynaScan, visit our site at [www.dynascandisplay.com](http://www.dynascandisplay.com). Copyright © DynaScan Technology Inc. All rights reserved. All specifications and descriptions are subject to change without notice. Reproduction without permission is prohibited.

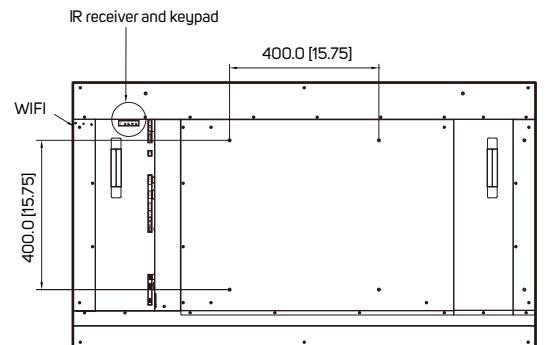
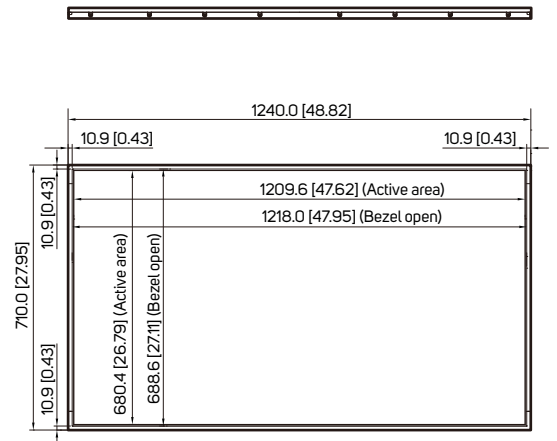
# DynaScan

# SPECIFICATION

<b>MODEL</b>	DI551ST2	
<b>PANEL</b>	LCD Panel Type	54.64 inches LCD
	Native Resolution	1920 x 1080
	Backlight	LED
	Default Color Temperature	D65 (6500 K)
	Brightness	1000 nits
	Color Depth	8 bits
	Contrast Ratio	3000:1
	Response Time (Typ.)	9 ms
	Viewing Angle (H/V)	178° / 178°
	Light Life Time (Typ.)	50,000 hrs
<b>POWER</b>	Blackening Defect Free	Up to 110°C (230°F)
	Viewable With Polarized Lenses	Yes
	Panel Surface	AR 15%, 2H
	Power Supply	Internal
	Rated Voltage	100-240V ~ 50/60Hz
	Power On Mode (Typ./ Max)	105 W / 150 W
	Power Saving Mode	< 1 W
	Bezel Width (T/B/L/R)	Even bezel 10.9 mm
	Cabinet Color	Black
	Monitor Dimension (LxHxD)	1240.0 x 710.0 x 29.0 mm
<b>MECHANICAL SPECS</b>	Monitor Weight	25 kg
	Orientation	Portrait / Landscape
	VESA Mounting (LxH)	400 x 400 mm
	Carrying Handles	Yes
	Fanless Design	Yes
	Language	English
	Support SNMP (Up to V3.0)	Yes
	Dimming Control	Yes
	Image Retention Protection	Yes
	Auto Orientation Sensor	Yes
<b>USER INTERFACE</b>	Ambient Light Sensor	Yes
	Power On/Off Scheduling	Yes
	Internal Temperature Sensor	Yes
	OSD Menu Rotation	Yes
	HDMI	x1 (1080p)
	DisplayPort	x1
	DVI-D	x1
	SD Slot	x1 (For Internal Player)
	USB	x1 (For Internal Player)
	Audio	x1
<b>EXTERNAL CONTROL</b>	RS-232	In x1
	RJ-45	x1 (LAN)
	Operating System	Android 4.4.2
	Storage	Internal: Nand flash 8GB(multi sources) External: Support SD , Up to 32GB
	Multimedia	Multi-format 1080P video decoders (H.264,VC-1, MPEG-1/2/4, H.263, H.264 MVC, AVS, VP8/6, RV)
	Wi-Fi Specification	802.11b/g/n   2412.0MHz - 2462.0MHz
	Operating Temperature	0° C ~ 40° C
	Storage Temperature	-20° C ~ 60° C
	Humidity	10% ~ 80% RH Non-condensing
	Dust resistant design	IP5X
<b>CERTIFICATION</b>	CE / FCC / RoHS	

# DIMENSIONS

Unit: mm [inch]



# INTERFACE

