

# FUSION<sup>®</sup> WALL MOUNT SOLUTIONS

## MICRO-ADJUSTABLE FIXED AND TILT MOUNTS

An industry favorite, Fusion<sup>®</sup> Fixed and Tilt Mounts were designed with installer feedback for superior speed and usability. Stability, less hardware, fast installation, improved cable management and more great features add up to benefits installers appreciate in our best wall mount yet. Accessories are available to customize any configuration.\*

### FEATURES

- ControlZone™ Height & Roll Adjustment is an industry-first feature for post-installation fine-tuning of height and leveling of the entire configuration, not just the display.
- Centerless™ Lateral Shift allows for up to 16" (406 mm) of post-installation lateral shift - 8" (203 mm) left/right of uprights. Enhancements include up to 3" (76 mm) of lateral shift in the wall plates. Dual-stud versions only.
- Centris<sup>®</sup> Low-Profile Tilt provides effortless, tool-free tilting by using the center of gravity to balance the screen.
- ClickConnect<sup>®</sup> Tool-Free Latching creates an audible click when the screen safely engages with the mount. A built-in cable stand allows easy access under the screen. Tuck Quick Store cords out of sight with the magnetized end.



ControlZone Height & Roll Adjustment



Centerless Lateral Shift



Centris Low-Profile Tilt

\*See our Fusion™ Wall Mounts Brochure for more information on mounts and accessories.

LEGRAND | AV COMMERCIAL BRANDS

C2G | Chief | Da-Lite | Luxul | Middle Atlantic | Vaddio | Wiremold

# FUSION<sup>®</sup> WALL MOUNT SOLUTIONS

## SPECIFICATIONS



STMS1U  
Small Tilt Mount,  
Portrait/ Landscape



MSM1U  
Medium Fixed Mount,  
Landscape



LTM1U  
Large Tilt Mount,  
Landscape



XSM1U  
Extra-Large Fixed Mount,  
Landscape

MODEL	TYPICAL SCREEN SIZE	DEPTH FROM WALL	CENTERLESS LATERAL SHIFT	CENTRIS LOW-PROFILE TILT	MOUNTING PATTERN RANGE (W X H)	WEIGHT CAPACITY (DUAL STUD)	ORIENTATION
MSM1U*	26 - 47"	2" (51 mm)	12.9" (327 mm)	-	100 x 100 - 642 x 400 mm	125 lbs (56.7 kg)	Landscape
LSM1U	37 - 63"	2" (51 mm)	17.4" (441 mm)	-	100 x 100 - 871 x 500 mm	200 lbs (90.7 kg)	Landscape
XSM1U	55 - 82"	2.25" (57 mm)	21.4" (542 mm)	+2°	100 x 100 - 1070 x 600 mm	250 lbs (113.4 kg)	Landscape
STMS1U	24 - 32"	2" (51 mm)	-	+2° / -12°	75 x 75 - 300 x 300 mm	75 lbs (34 kg)	Landscape/ Portrait
MTMS1U	32 - 65"	2.1" (53 mm)	-	+2° / -12°	200 x 200 - 455 x 400 mm	75 lbs (34 kg)	Landscape/ Portrait
MTM1U*	32 - 65"	2" (51 mm)	12.9" (327 mm)	+2° / -12°	100 x 100 - 650 x 400 mm	125 lbs (56.7 kg)	Landscape
MTMP1U**	32 - 47"	3.23" (82 mm)	10.4" (265 mm)	+5° / -12°	100 x 100 - 570 x 600 mm	125 lbs (56.7 kg)*** 200 lbs (90.7 kg)	Portrait
LTM1U	42 - 86"	2" (51 mm)	17.4" (441 mm)	+2° / -12°	100 x 100 - 878 x 500 mm	200 lbs (90.7 kg)	Landscape
XTM1U	55 - 100"	2.5" (64 mm)	21.4" (542 mm)	+5° / -12°	100 x 100 - 1070 x 600 mm	250 lbs (113.4 kg)	Landscape

\*Compatible with dual stud mounting only. **FCA1S** to accommodate single stud mounting.

\*\*Order **FHB5038** VESA<sup>®</sup> Adapter for compatibility with 800-1000 mm vertical patterns.

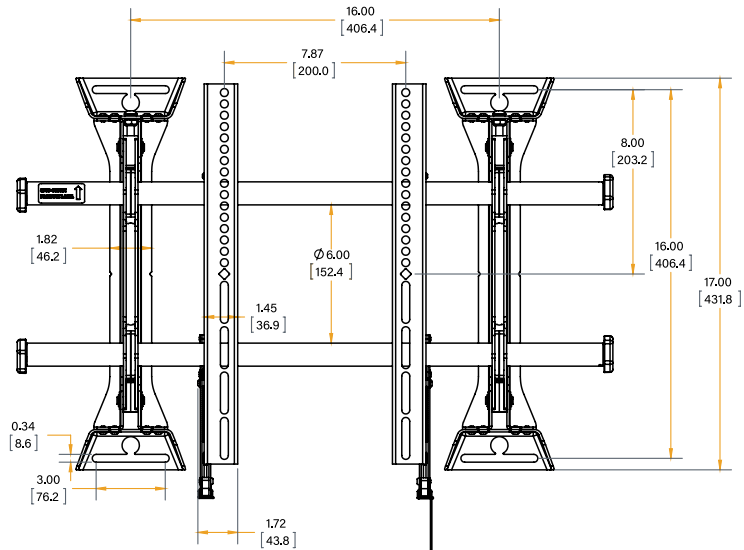
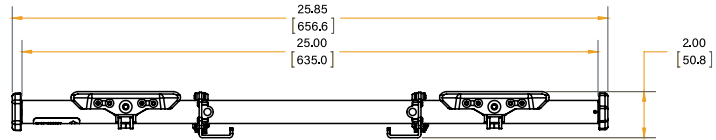
\*\*\* Single Stud Weight Capacity.

**LEGRAND | AV COMMERCIAL BRANDS**

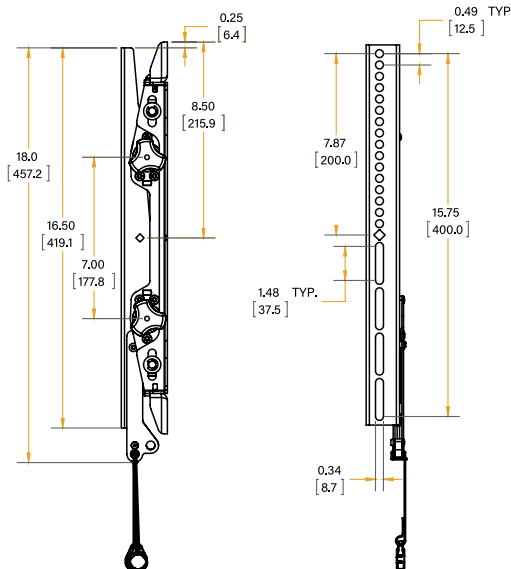
C2G | Chief | Da-Lite | Luxul | Middle Atlantic | Vaddio | Wiremold

# FUSION<sup>®</sup> WALL MOUNT SOLUTIONS

## MSM1U SPECIFICATIONS



RAILS CAN BE SLID LEFT OR RIGHT FOR OFFSET



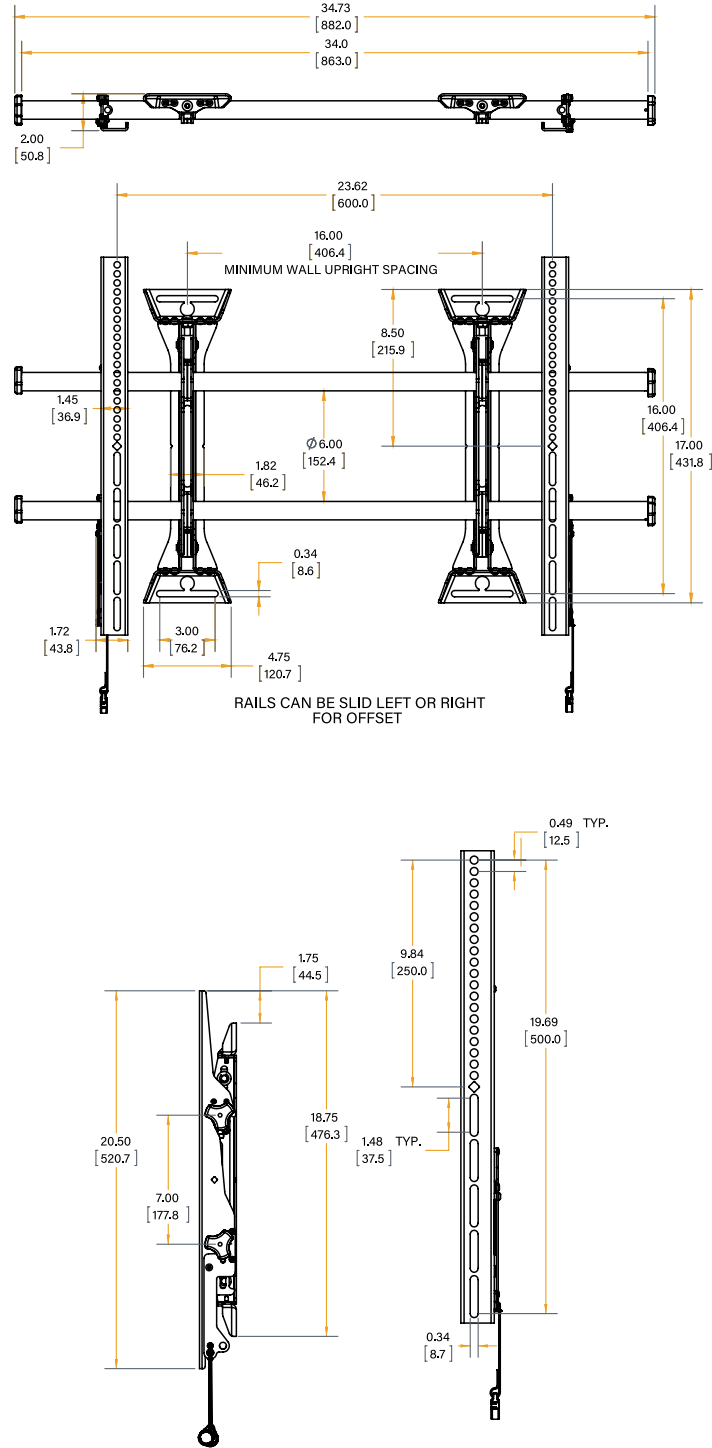
Complete technical drawings and details can be downloaded on [legrandav.com](http://legrandav.com).

LEGRAND | AV COMMERCIAL BRANDS

C2G | Chief | Da-Lite | Luxul | Middle Atlantic | Vaddio | Wiremold

# FUSION<sup>®</sup> WALL MOUNT SOLUTIONS

## LSM1U SPECIFICATIONS



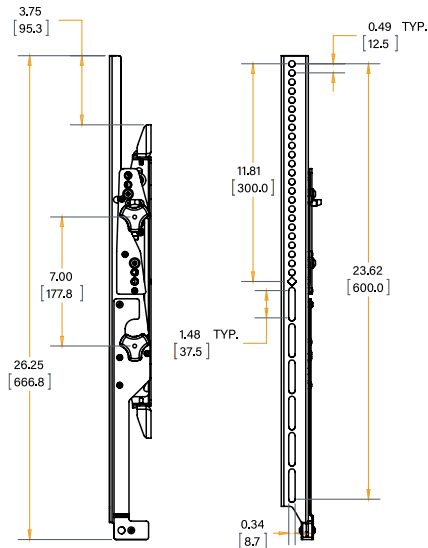
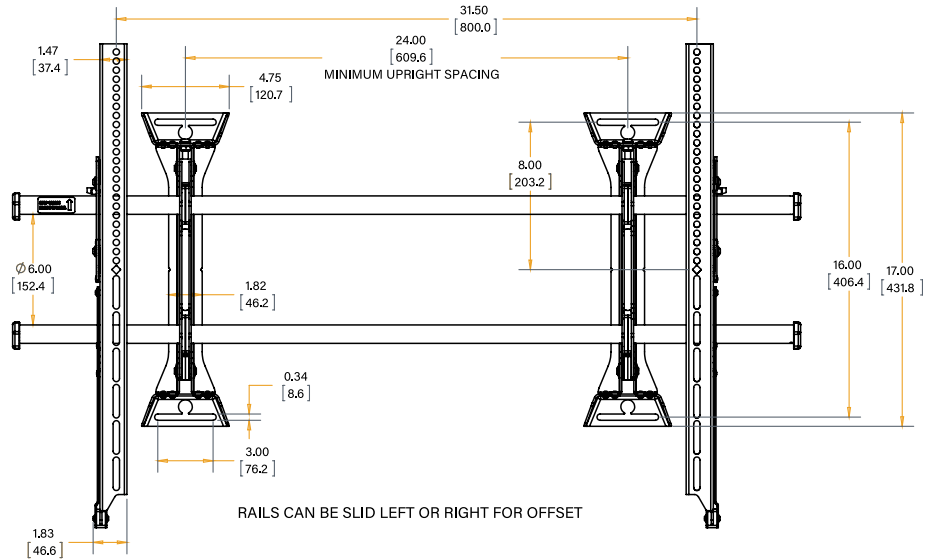
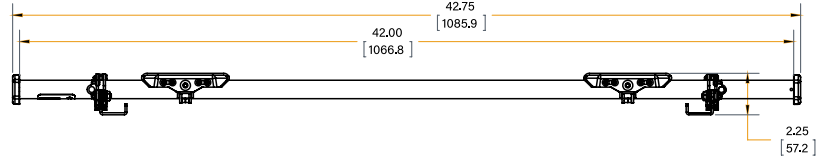
Complete technical drawings and details can be downloaded on [legrandav.com](http://legrandav.com).

LEGRAND | AV COMMERCIAL BRANDS

C2G | Chief | Da-Lite | Luxul | Middle Atlantic | Vaddio | Wiremold

# FUSION<sup>®</sup> WALL MOUNT SOLUTIONS

## XSM1U SPECIFICATIONS



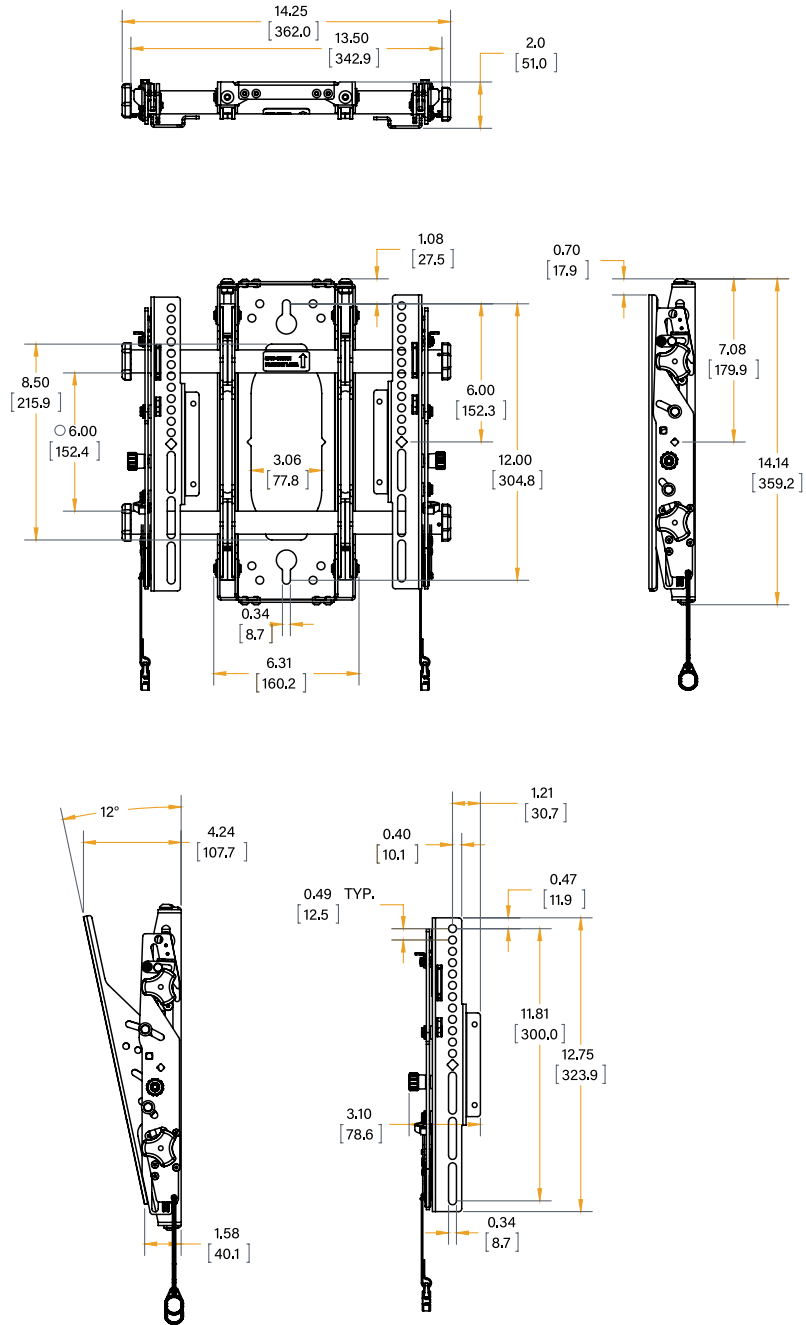
Complete technical drawings and details can be downloaded on [legrandav.com](http://legrandav.com).

LEGRAND | AV COMMERCIAL BRANDS

C2G | Chief | Da-Lite | Luxul | Middle Atlantic | Vaddio | Wiremold

# FUSION<sup>®</sup> WALL MOUNT SOLUTIONS

## STMS1U SPECIFICATIONS



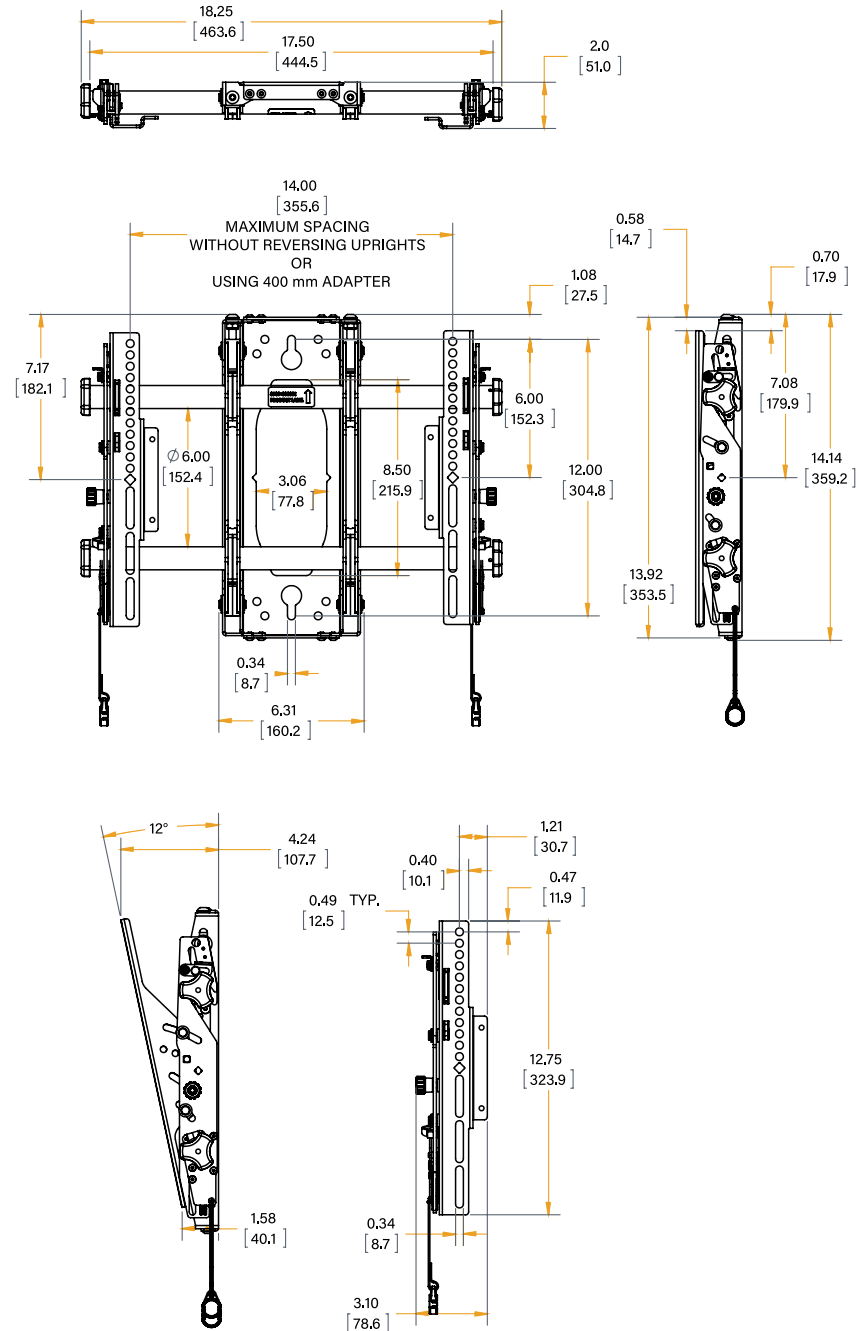
Complete technical drawings and details can be downloaded on [legrandav.com](http://legrandav.com).

LEGRAND | AV COMMERCIAL BRANDS

C2G | Chief | Da-Lite | Luxul | Middle Atlantic | Vaddio | Wiremold

# FUSION<sup>®</sup> WALL MOUNT SOLUTIONS

## MTMS1U SPECIFICATIONS



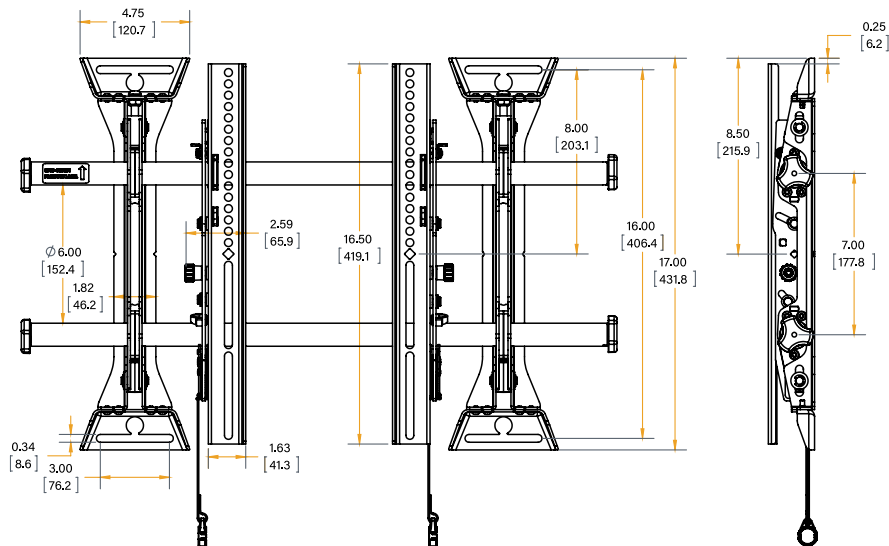
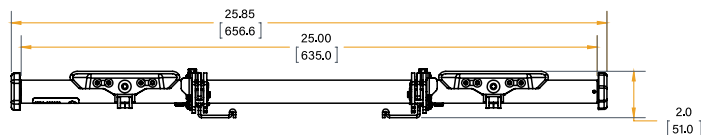
Complete technical drawings and details can be downloaded on [legrandav.com](http://legrandav.com).

LEGRAND | AV COMMERCIAL BRANDS

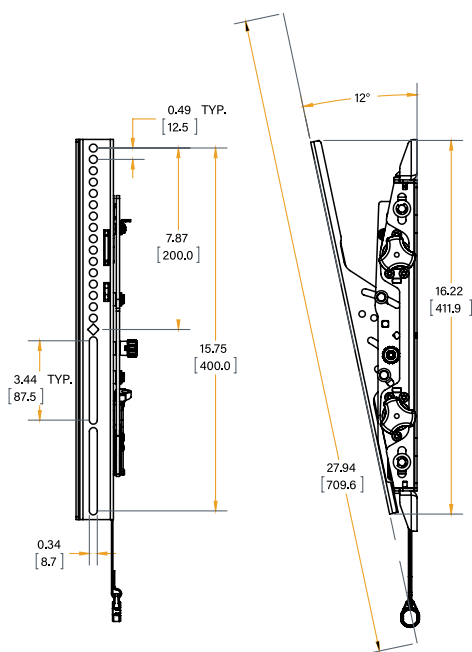
C2G | Chief | Da-Lite | Luxul | Middle Atlantic | Vaddio | Wiremold

# FUSION<sup>®</sup> WALL MOUNT SOLUTIONS

## MTM1U SPECIFICATIONS



RAILS CAN BE SLID LEFT OR RIGHT FOR OFFSET



Complete technical drawings and details can be downloaded on [legrandav.com](http://legrandav.com).

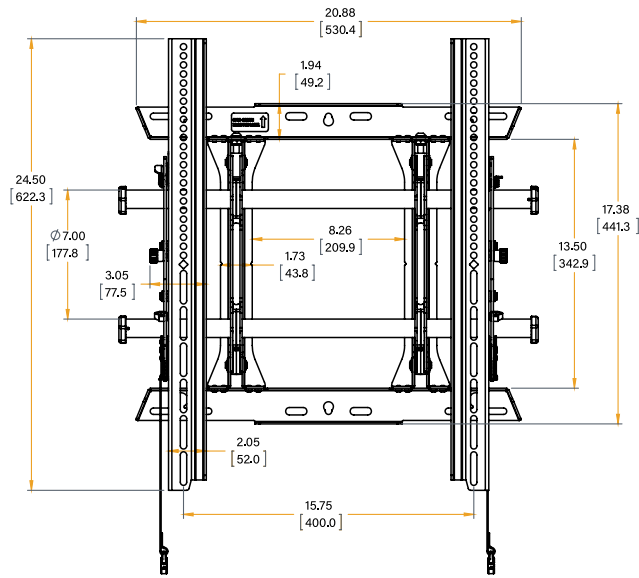
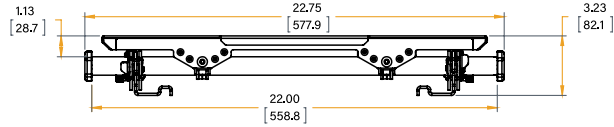
LEGRAND | AV COMMERCIAL BRANDS

C2G | Chief | Da-Lite | Luxul | Middle Atlantic | Vaddio | Wiremold

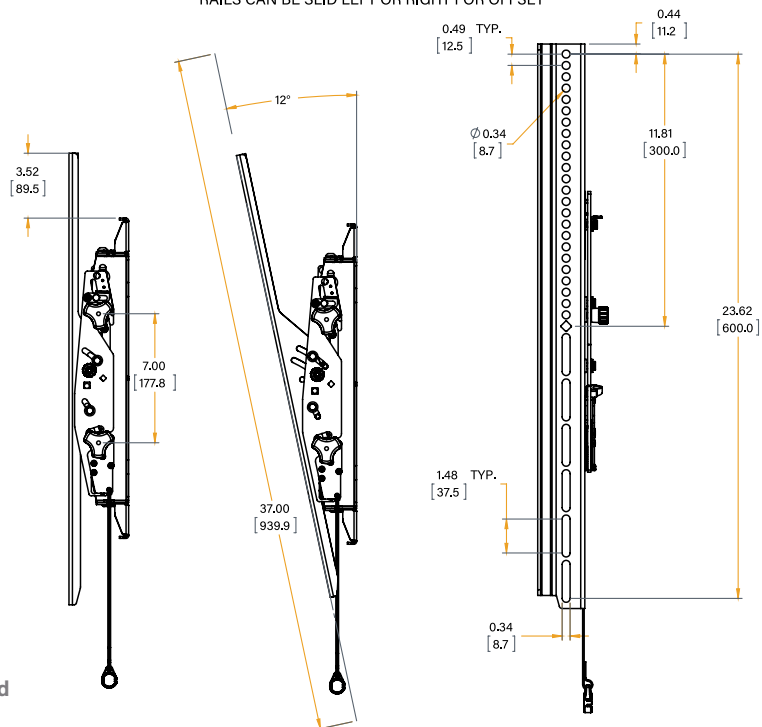


# FUSION<sup>®</sup> WALL MOUNT SOLUTIONS

## MTMP1U SPECIFICATIONS



RAILS CAN BE SLID LEFT OR RIGHT FOR OFFSET



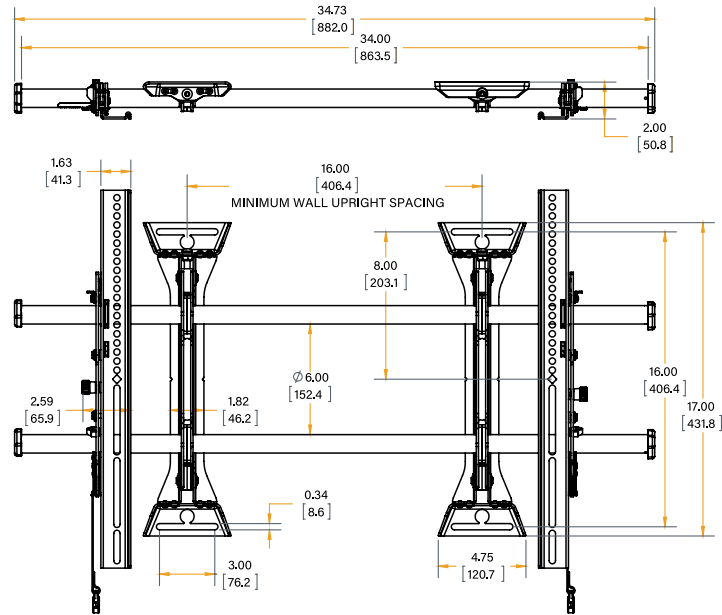
Complete technical drawings and details can be downloaded on [legrandav.com](http://legrandav.com).

LEGRAND | AV COMMERCIAL BRANDS

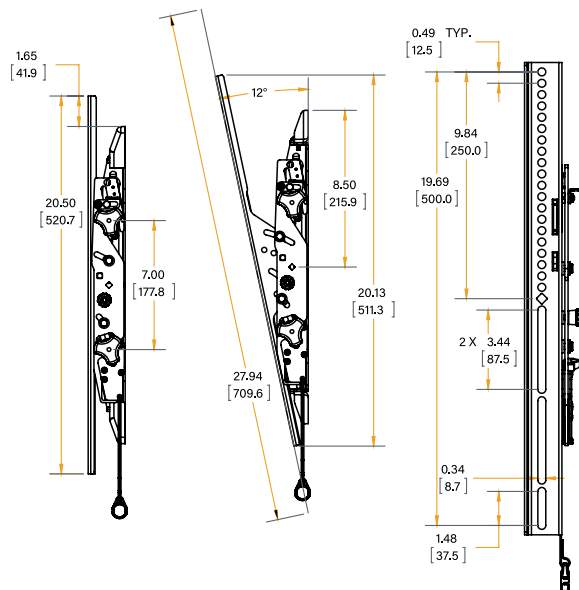
C2G | Chief | Da-Lite | Luxul | Middle Atlantic | Vaddio | Wiremold

# FUSION® WALL MOUNT SOLUTIONS

## LTM1U SPECIFICATIONS



RAILS CAN BE SLID LEFT OR RIGHT FOR OFFSET



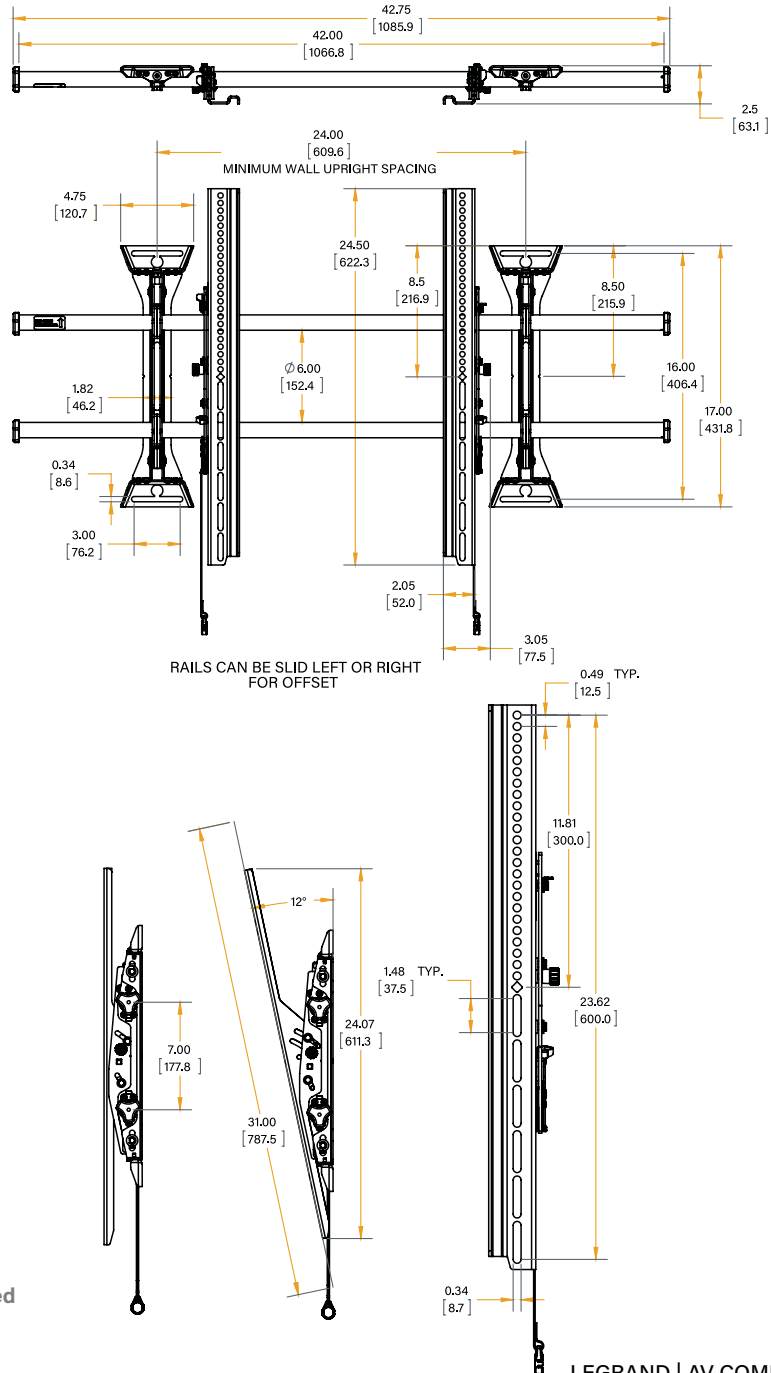
Complete technical drawings and details can be downloaded on [legrandav.com](http://legrandav.com).

LEGRAND | AV COMMERCIAL BRANDS

C2G | Chief | Da-Lite | Luxul | Middle Atlantic | Vaddio | Wiremold

# FUSION<sup>®</sup> WALL MOUNT SOLUTIONS

## XTM1U SPECIFICATIONS



Complete technical drawings and details can be downloaded on [legrandav.com](http://legrandav.com).

LEGRAND | AV COMMERCIAL BRANDS

C2G | Chief | Da-Lite | Luxul | Middle Atlantic | Vaddio | Wiremold

INSTALLER INSPIRED | [legrandav.com](http://legrandav.com)

USA 866.977.3901 [av.chief.support@legrand.com](mailto:av.chief.support@legrand.com) CANADA 877.345.4329 [av.chief.canada@legrand.com](mailto:av.chief.canada@legrand.com)

EMEA +31 495 580 840 [av.emea.sales@legrand.com](mailto:av.emea.sales@legrand.com) APAC +852 2145 4099 [av.asia.sales@legrand.com](mailto:av.asia.sales@legrand.com)

©2021 Legrand AV Inc. 210464 Rev A 7/21 Chief is a registered trademark of Legrand AV Inc. All other brand names or marks are used for identification purposes and are trademarks of their respective owners. All patents are protected under existing designations. Other patents pending.