

STDV100

FLAT SCREEN STAND

FOR 40"-75" SCREENS

It is a perfect solution for presenting the screen in an elegant and, at the same time, safe manner. STDV100 is universal and, due to its wide range of height adjustments, it can easily be adapted to many types of screens available on the market. A solid and stable base with the possibility of attachment to the floor makes it perfect for various rooms from hotel lobbies to conference rooms. Integrated cable management makes the finished installation neat and tidy, and as such STDV100 is perfect for professional or commercial applications.

FEATURES

- Universal VESA mount suitable for multiple screen types
- Full height adjustment
- Stable base
- Base holes allow optional fastening to the floor using anchors
- Integrated cable management system

PRODUCT SPECIFICATIONS

Short index	STDV100
Product group	Trolleys & Stands
Category	Flat Screen Stands
Colour	Black
Warranty	Limited 5-years
Number of screens	1
Minimum screen size	40"
Maximum screen size	75"
Maximum load	80 kg
Forward tilting	+11°
Height adjustment	Yes
VESA Mounting Compatibility	100x100 up to 600x400



40"-75"



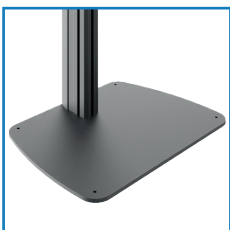
100x100
600x400



11°



80 kg



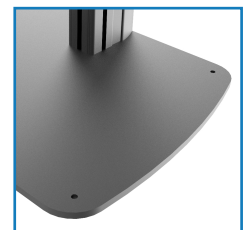
Stable base



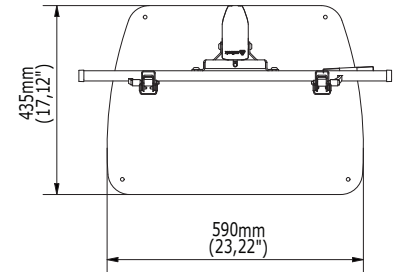
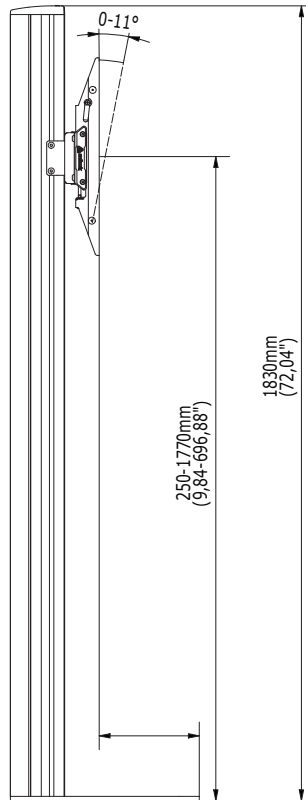
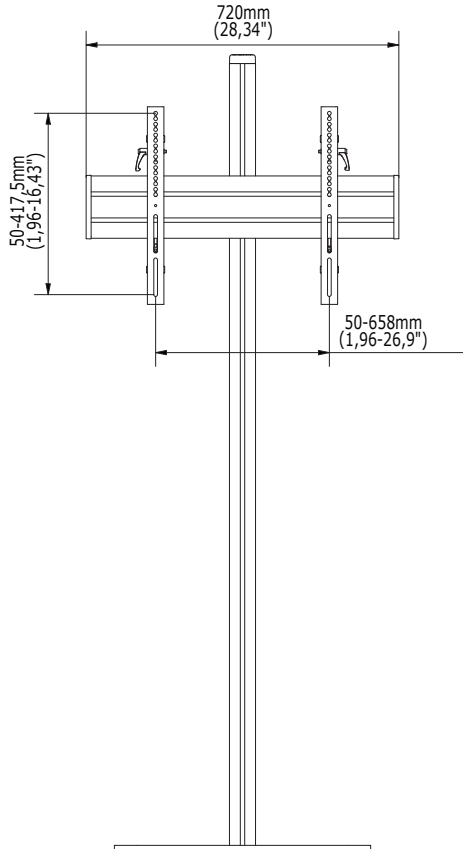
The screen can be tilted by 11°



Cable management system



Floor mounting option


TECHNICAL SPECIFICATIONS

Product dimensions	W: 720 mm D: 435 mm H: 1830 mm (W:28,34" D:17,12" H:72,04")
Product weight	33,31 kg (73,43 lb)
Max. distance from the floor to the center of the screen	1650 mm (64,96")
Min. distance from the floor to the center of the screen	250 mm (9,84")
Max. mounting pattern	750 mm x 460 mm (29,52 x 18,11")
Min. mounting pattern	50 mm x 96 mm (1,96 x 3,77")

LOGISTICS DATA

SAP INDEX	EAN CODE	COLOUR	PACKAGE DIMENSIONS	PACKAGE WEIGHT
WSTD-STDV100	5902841138858	BLACK	1750 x 510 x 230 mm 68,89 x 20,07 x 9,05"	35 kg 77,16 lb

HS Code (Harmonized System): 732690, HTS Code (Harmonized Tariff Schedule): 7326909890, Country of Origin: Poland

ACCESSORIES AND RELATED PRODUCTS


STD01



STD17



TRV100