

DISCLAIMER

Under no circumstances will AOTO be liable for direct or indirect economic losses to customers due to this product manual, and AOTO's maximum compensation for customer losses due to AOTO's liability shall not be higher than the amount paid by customers for purchasing the product / service.

Outsourced parts are not included in the scope of service covered by this service manual.

AOTO may improve or update product versions or programs. Product details are subject to the actual shipping version, and the user manual will be updated without notice. This version may contain translation or typographical errors, and any changes will be updated and published on the latest version.

Copyright 1993-2020 Shenzhen AOTO Electronics Co., Ltd. All rights reserved. Global patent pending. AOTO and CLD are trademarks of Shenzhen AOTO Electronics Co., Ltd. Specifications are subject to change without notice.



SHENZHEN AOTO ELECTRONICS CO., LTD.

HQ Add: 9-10F, High-Tech Zone Union Tower, No.63, Xuefu Road, Nanshan District, Shenzhen, China

Factory Add: 7,Yongda Road, West District, Dayawan Development Zone, Huizhou, China

24/7 hotline: +86-400-930-6699 Tel: +86-755-2671 9889 Fax: +86-755-2671 9890

E-mail: led@aoto.com <http://www.aoto.com>

AOTO

SID Stand-alone LED Display

User Manual

* Please read the manual thoroughly and save it before attempting to connect, operate or adjust the product.





科技引人入胜
Attractive Technology

Contents

product introduction.....	03
Installation Guide.....	05
Function introduction.....	06
Maintenance.....	15
Troubleshooting.....	18
Transportation and delivery.....	19

Safety Guidelines>>

- 1)Please read this manual carefully and follow the instructions before use.
- 2)Please follow the methods for installation in the user manual to complete the installation.
- 3)Please cut off the power of the screen body during installation and maintenance to prevent electric shock and injury, and avoid short circuit of the live parts of the PCB board against the metal frame.
- 4)DO NOT place the product face down on an irregular surface to avoid permanent damage to the display surface of the product.
- 5)DO NOT place the product on the tilted or unstable table or card, if not, the product may fall or topple, which will cause permanent damage to the product.
- 6)DO NOT place any heavy object on the power cord to avoid damaging the cord and causing electric shock or fire.
- 7)DO NOT repeatedly bend or move the power cord or data cable frequently to avoid damaging the cord and causing electric shock or fire.
- 8)Please connect the power cord and/or the network cable as recommended by AOTO.
- 9)Please arrange, tie and fix the power cord and network cable orderly after the installation, and separate the strong and weak current.
- 10)Please use soft, non-corrosive and non-staining material to clean the display regularly. If there is any question about cleaning, please contact the customer service
- 11)Please use in a well-ventilated environment.
- 12)DO NOT contact the product for a long time or expose it to the environment with a lot of dust, strong acid and/or strong alkaline substances, if not, the product may be damaged permanently.
- 13)DO NOT place fire or any device that gives off high heat around the display.
- 14)Please use AOTO original accessories; please contact the customer service if using self-purchased accessories.
- 15)Arrange professionals to inspect the display regularly.

Safety Regulations>>

- 1)Non-professionals are not allowed to disassemble the product without permission to avoid electric shock of high voltage.
- 2)Please consult the local power supply operator if not clear about the local grid voltage.
- 3)Personnel working at heights shall be provided with safety protections.
- 4)The frame structure of LED display should be designed and constructed by professionals.
- 5)Make sure to take safety measures for grounding the equipment.

Important Warnings>>

- 1)DANGER OF ELECTRIC SHOCK: Danger of high voltage, Non-professionals are prohibited from opening the panel. It is forbidden to plug and unplug the power cord under working conditions.
- 2)DANGER OF PERSONAL CASUALTIES: It is necessary to take corresponding protective measures for high-altitude operators to avoid accidents.
- 3)KEEP AWAY FROM FLAMMABLES AND/OR EXPLOSIVES: Keep the screen away from inflammables and explosives.
- 4)Keep away from the air outlet of the air conditioner and keep the screen dry
- 5)CLASS I EQUIPMENT AND GROUNDING IS REQUIRED: The display is requested to be grounded
- 6)POWER ON REGULARLY: If it is not used for a long time, the power supply of the display should be turned on regularly (the LED display cannot be turned off for a long time). If the display has not been used for more than 3 days under the condition of high ambient humidity, it is necessary to check whether there is moisture on the surface before lighting up; if there is moisture, ventilation or dehumidification is required. Pre-heating light-up is required to light up the display: keep the black screen for 2 hours after power-on, preheat the display at 10-20% brightness for 4-8 hours, and then adjust it to normal brightness (40% - 80%) to light up the display to eliminate moisture, so as to avoid any abnormality during use (the brightness can be manually adjusted by the user according to the use environment).
- 7)POWER SUPPLY: When wiring power supply, please pay attention to load balance, overload is strictly prohibited. Before installation, please ensure that the operating voltage of the display is suitable for the local grid voltage.

Copyright>>

Shenzhen AOTO Electronics Co., Ltd. reserves the right to change this Manual, which has no further notice for subsequent changes, and shall not be responsible for any direct, indirect, intentional, or unintentional damage and/or hidden danger caused by improper installation or use of the product without following the manual.

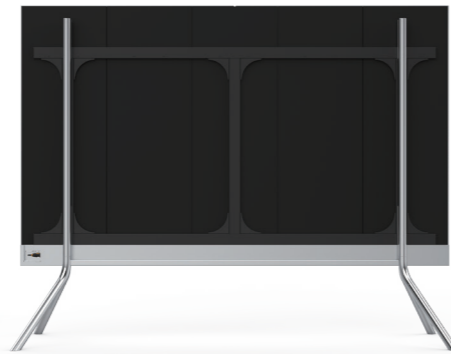
AOTO is a registered trademark of Shenzhen AOTO Electronics Co., Ltd. All other trademarks mentioned in this manual are the property of their respective manufacturers.

Product introduction

Product appearance:



Front view

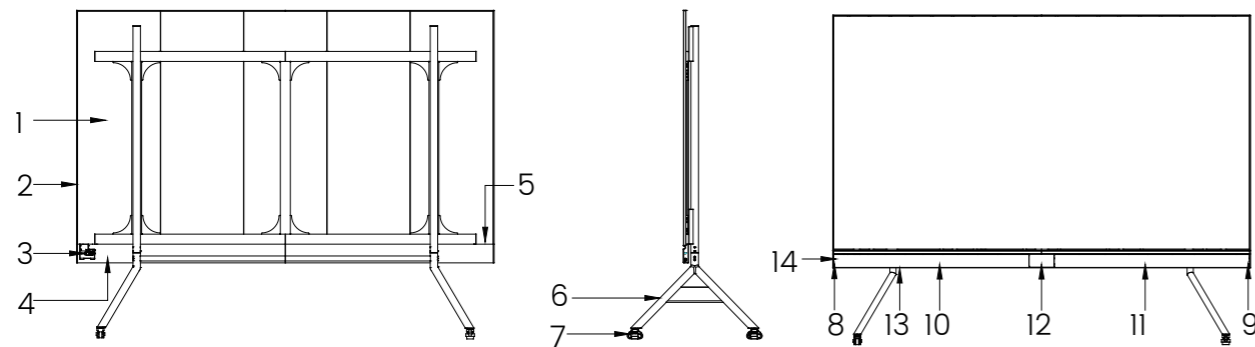


Back view

NO.	Description	Remarks
1	Frame	Installing the display panel
2	Border	Display protection of SID stand-alone display
3	Power input	Power supply to SID stand-alone display
4	Lower beam	Control unit of SID stand-alone display
5	Back socket	Signal input/output
6	A-type base	Support structure of SID stand-alone display
7	Castor	Moving parts of SID stand-alone display
8、9	Ambient light detection	some don't have this function, please consult customer service.
10、11	Sound	Loudspeaker mode
12	Breathing LED panel	Display the working state of stand-alone display
13	Bottom socket	Signal input/output
14	keyboard plate	Contains switch buttons and indicators

Products and accessories:

This product is shown in the figure below (some features have been simplified).



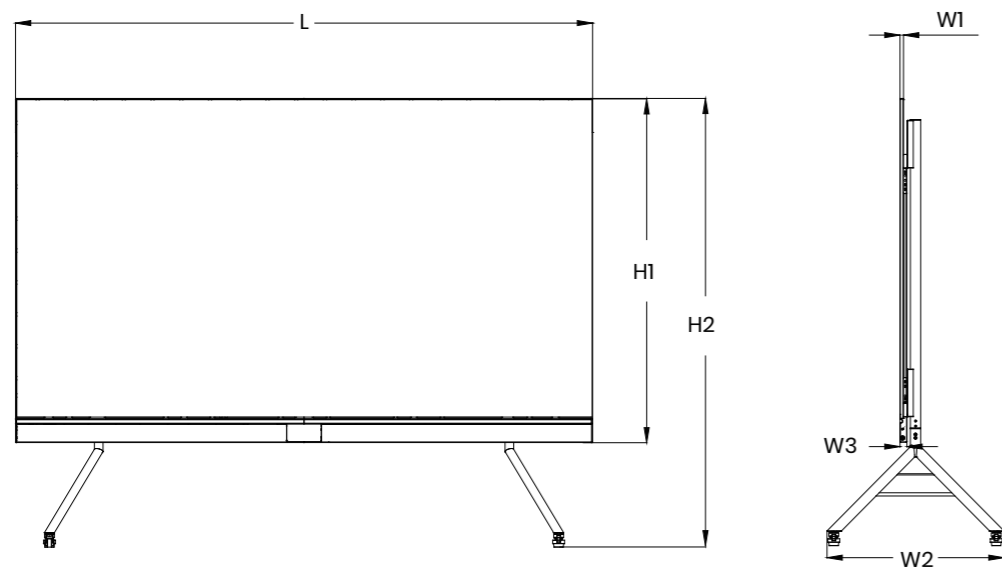
SID Stand-alone LED Display	Tool kits	Remote control
Power cord	Vacuum Front Maintenance Tools (optional)	Sound Pick-up
Camera (optional)		

Installation Guide

Precautions:

1. After the product is unpacked, please check whether the product is damaged;
2. At least two people are required to participate in the installation process to ensure safety;
3. Please take necessary measures to prevent the product from falling during installation;
4. Operators shall use safety belts and helmets correctly when working at heights;
5. Be careful not to fall objects on the LED display;
6. It is strictly forbidden to install in the environment where iron filings, wood shavings and paint are produced;
7. When moving the cabinet, please do not touch the LED and take anti-static measures to prevent static electricity from damaging the LED or IC device;
8. Do not leave screws, nuts and other metals in the box during the installation process to prevent short circuit when the screen is working;
9. Please install this product in a relatively safe environment (avoid installation under a large amount of dust, strong acid, strong alkaline or diffuse paint).

Installation Dimensions:



Installation dimensions						
Model	L(mm)	H1(mm)	H2(mm)	W1(mm)	W2(mm)	W3(mm)
SID303SD / SID303SI / SID503SD / SID503SI / SID703SD / SID703SI	2678	1645.5	2259	19.8	802	40
SID305SE / SID505SE / SID705SE	3063	1862	2475.4	19.8	802	40
SID306SF / SID306SI / SID506SF / SID506SI / SID706SF / SID706SI	3344	2020	2633.5	19.8	802	40
SID309SI / SID509SI / SID709SI	4010	2394.56	/	19.8	/	40

Note: L and H1 are the dimensions of the SID Stand-alone LED Display, W1 and H1 are the installation dimensions of the SID Stand-alone LED Display, W2 and H2 are the installation dimensions for base-mounting, and W3 are the installation dimensions for wall-mounting.

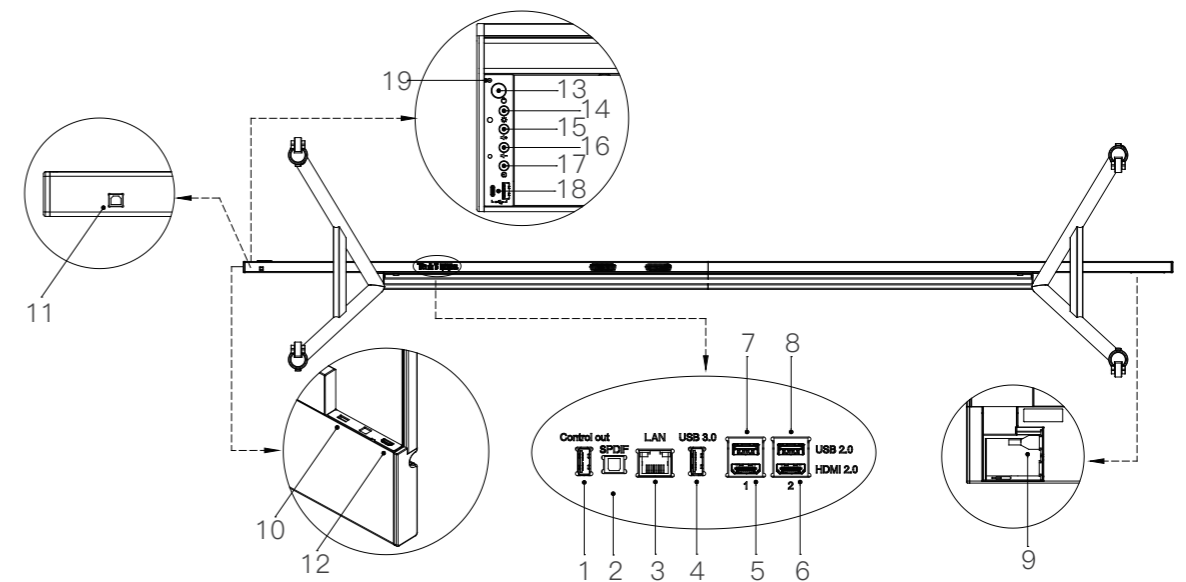
Installation steps:

For more details, please refer to the "Installation Guide."

Function introduction

SID stand-alone LED display interface:

The interfaces of SID Stand-alone LED Display are shown in the figure below:



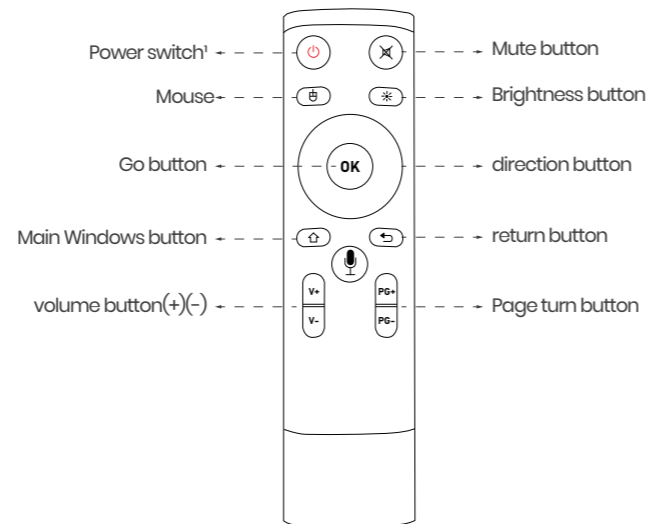
Interface	Features
Interface 1	USB Control out interface can be used to connect computers and other devices to realize Sid stand-alone LED display anti control device
Interface 2	SPDIF OUT interface, are used to connect the sound and other equipment
Interface 3	Gigabit Ethernet port, used to connect external network to realize network interconnection
Interface 4	USB3.0 interface, which can be used to access mouse, keyboard, U disk, Bluetooth speaker, transmitter and other equipment
Interface 5、 6	HDMI interface, which is HDMI input source interface; HDMI1 and HDMI2 (version 2.0) are used to provide audio and video signals
Interface 7、 8、 10	USB2.0 interface, which can be used to access mouse, keyboard, U disk, Bluetooth speaker, transmitter and other equipment
Interface 9	AC power input of SID stand-alone LED display (Note: refer to the configuration of parameter table)
Interface 11	DEBUG interface, are used to SID program debugging
Interface 12	HDMI interface (version1.4) , which is HDMI input source interface, are used to provide audio and video signals
Interface 13	POWER KEY switch,Controls the switch on and off of the SID intelligent appliance, Long press shutdown,short press standby
Interface 14	Brightness control button
Interface 15	volume +
Interface 16	volume -
Interface 17	Switch button for signal source
Port 18	Type C and Type A interfaces support only data functions
Part 19	Indicator light, shutdown state indicator light flashing once every 3 seconds; On The screen and the standby indicator are steady on

Remote control:

Note:

1.when starting up by the power switch,use the infrared mode, the remote control needs to be against the infrared receiving head (button left Corner of the LED display).

2.There may be differences in definition of remote control button depending on product version differences.

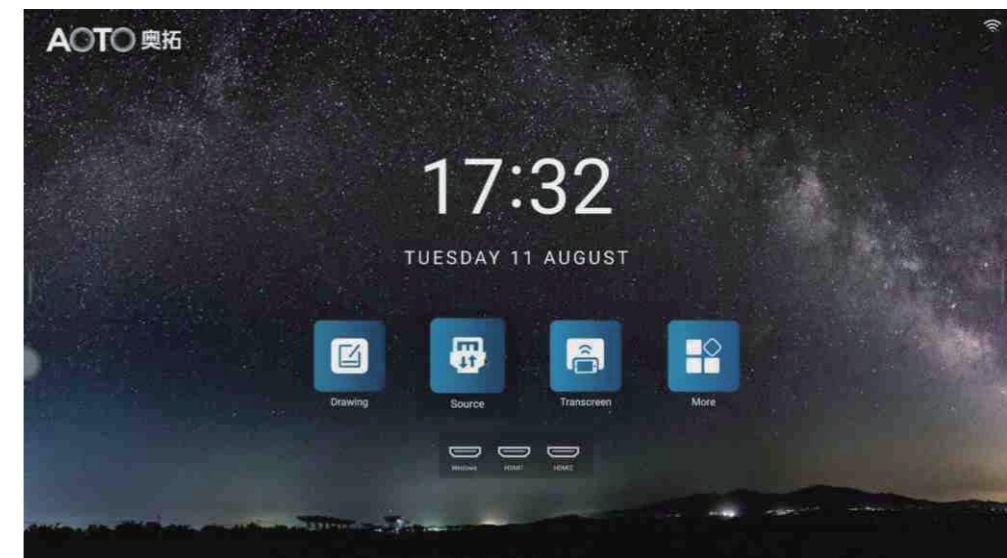


Software:

1)Use the remote control or press POWER_KEY for startup; After entering the main menu of the SID Stand-alone LED Display software, the following functions can be selected according to the actual needs: Whiteboard, signal source and projection screen. More applications are shown in the figure below:



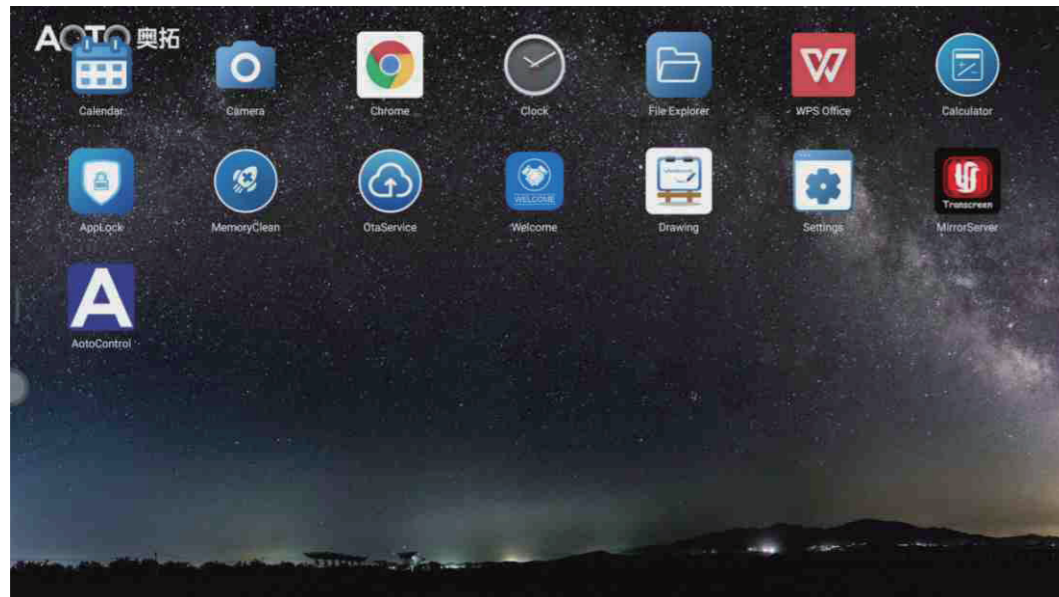
2)When the video source is connected to the SID Stand-alone LED Display, you can click the signal source and select channel HDMI1 or HDMI2 according to the connected signal source actually, and the SID Stand-alone LED Display



3) Select the projection function to select the transmitter projection, computer-software projection and mobile projection; follow the instructions in the figure below to realize the projection;



4) Enter More Applications and select applications based on actual needs;



Display setting

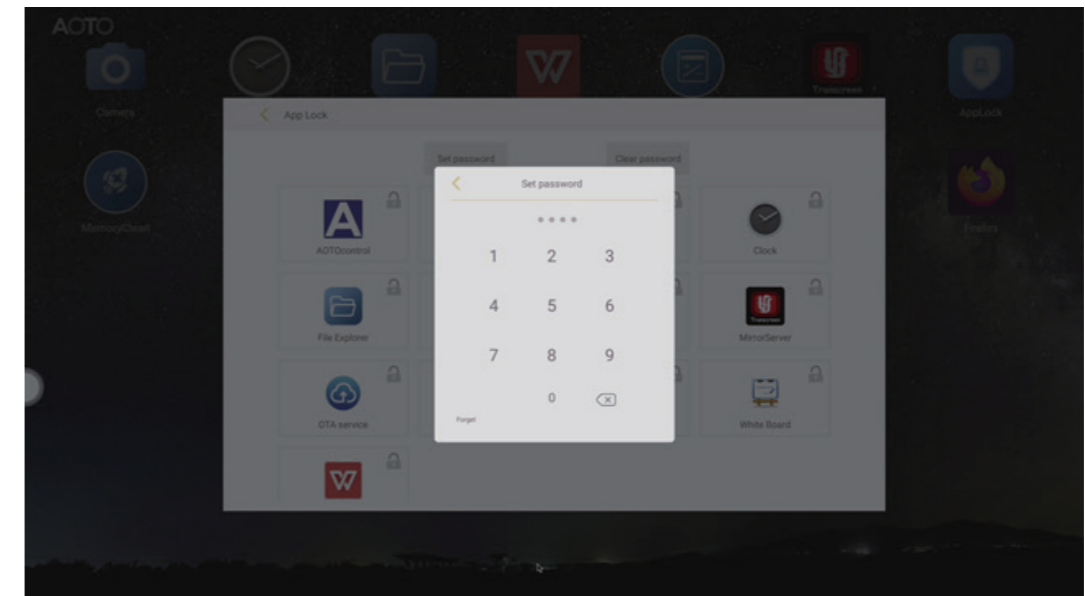
“display setting” application, which able to be adjusted the brightness/ contrast ratio/ saturation/ color temperature of the LED display by manual or automatic operation.



- Manual mode: use the interface above to manually adjust the appropriate display effect.
- Automatic mode: some don't have this function, please consult customer service.

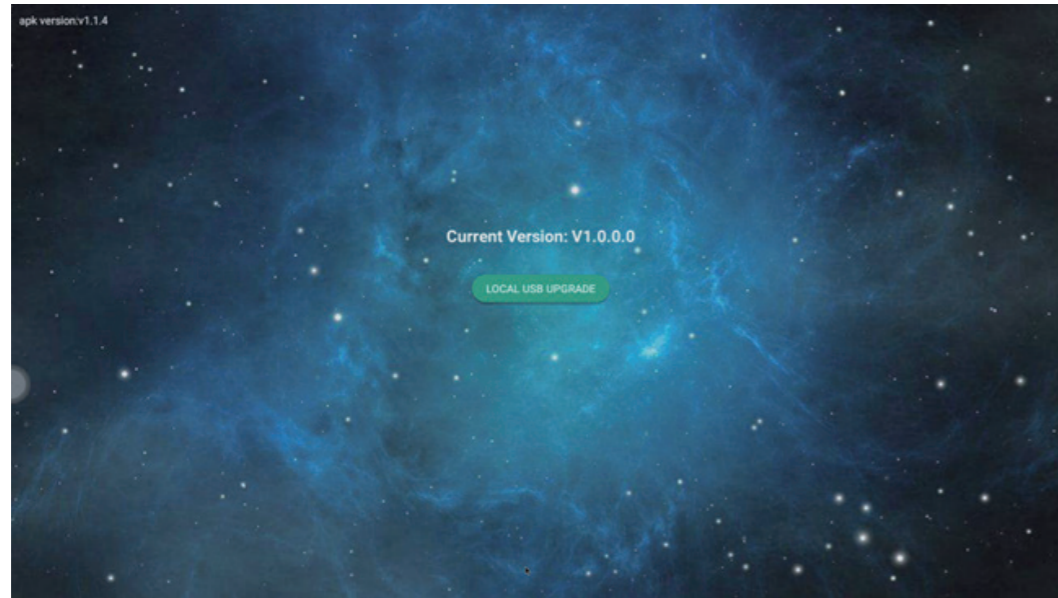
Application lock

You can encrypt your APP by “application lock”. The encrypted APP needs to enter a 4-digit password to open it.

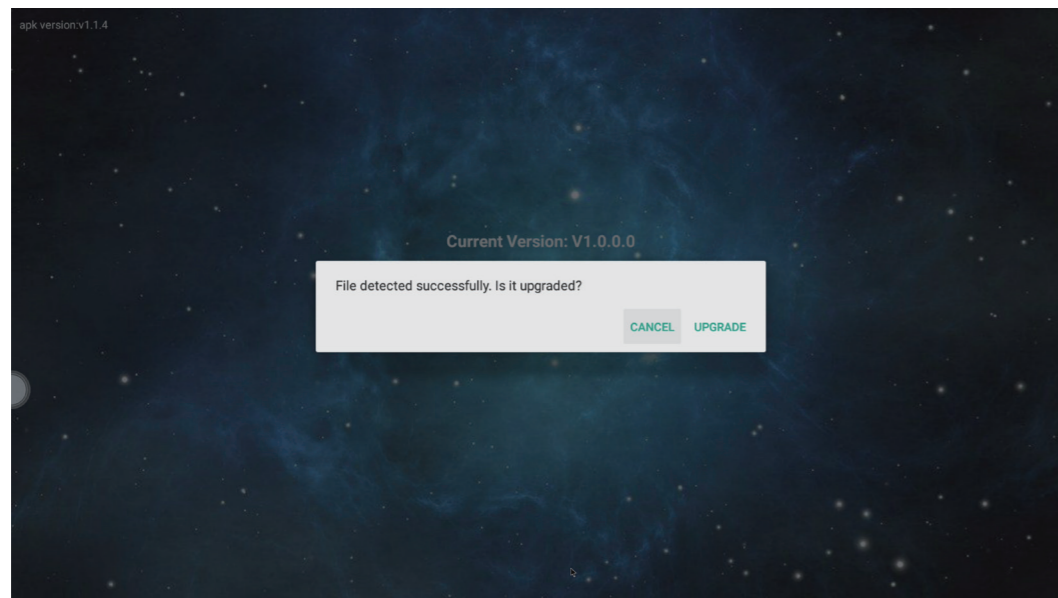


OtaService

1) In the application of "OtaService", SID stand-alone LED display can be upgraded with local USB.

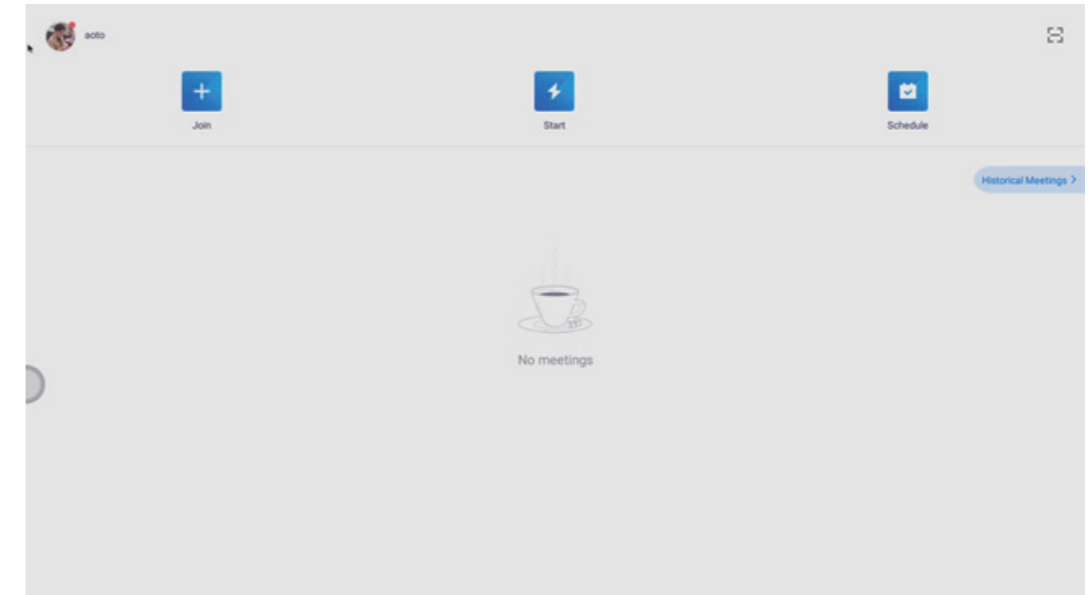


2) Change the name of the upgrade file on the USB flash disk to "update.zip", insert the USB flash disk into the port of USB2.0/USB3.0 of SID Stand-alone LED Display, and open "Otaservice". Click Local USB to upgrade. After successful file detection, click "Upgrade" to upgrade the local system.

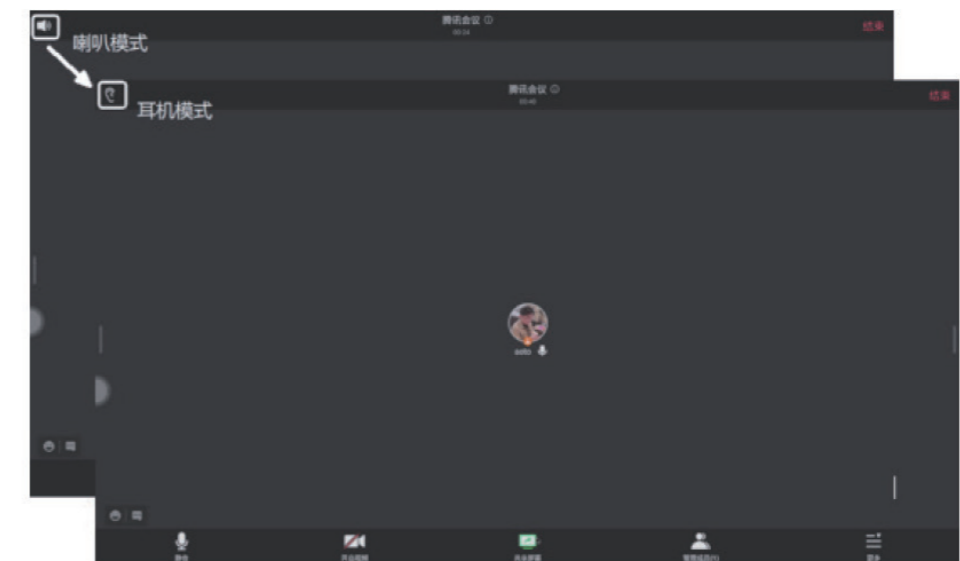


Sound pick-up

- 1) Insert the USB signal receiver of the pickup into the USB2.0/USB3.0 interface of the lower beam of the SID stand-alone LED display, and press the power button of the pickup to open the device;
- 2) Open the Tencent conference and log in;
- 3) Choose to join a meeting or quick meeting to enter or create a meeting;



- 4) When entering the meeting for the first time, it will prompt whether to obtain the application permissions such as recording and video recording, and select "Yes";
- 5) After entering the meeting, since Tencent conference identifies the pickup as headphone device, it is necessary to manually click "speaker mode" to change to "headphone mode", otherwise there will be no audio output. As shown in the figure below. After the switch, the audio will be output through the pickup.



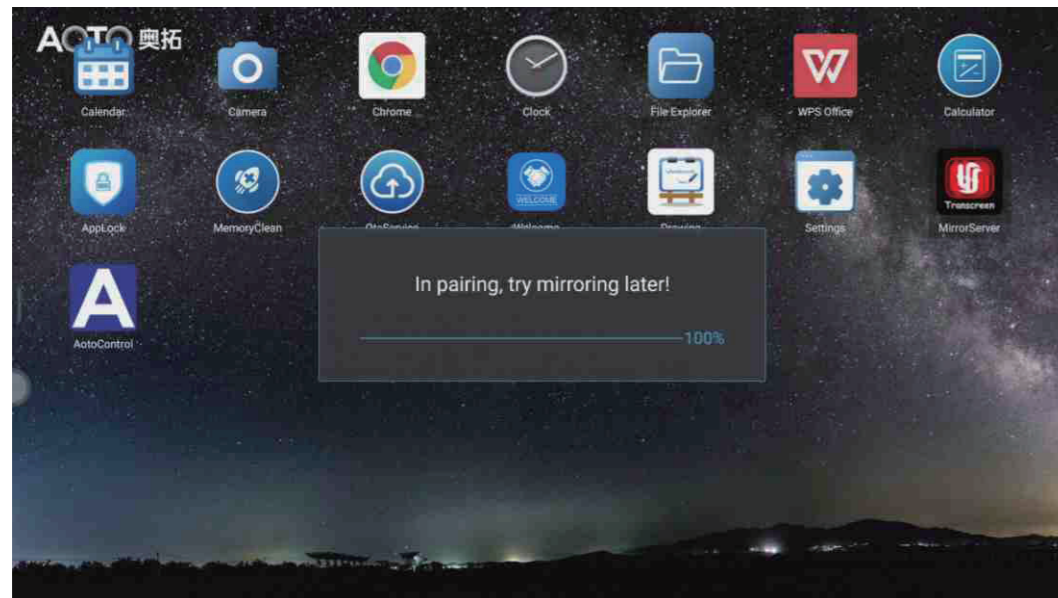
Welcome screen

With a variety of theme templates, you can edit the background, add text, change the text position, size, color and so on.



Computer projection

1) If the transmitter is used for the first time, it is necessary to insert the transmitter into any USB interface on the rear panel of the receiver and prompt "pairing, please mirror later". Pull out the transmitter after displaying 100% (this step can be skipped in future use);



2) Insert the transmitter into the USB interface of the computer, and the dialog box below will pop up automatically; after the flashing arrow appears in the dialog box, you can press the Transmitter button for one-key projection. In particular, if it is the first time to use the transmitter in a computer, you need to manually double-click the executable file Client.exe in the Client disk, then the dialog box below will pop up.

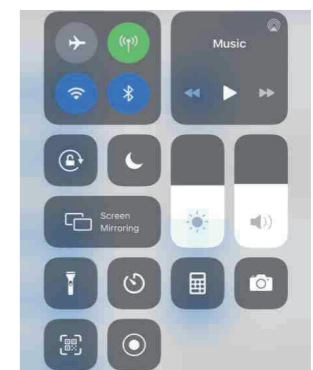


Android projection

- 1) Open the browser, scan the QR code at the bottom left of the display and download the "Transcreen" software (or download the "Transcreen" software directly from the App Store);
- 2) Connect the Wi-Fi hotspot of the receiver with Android device (System default Wi-Fi hotspot ID: 192.168.44.1, password: 12345678) ;
- 3) Open the "Transcreen" software, check "Allow to display floating screen", and then start the projection.

Apple Mobile / Tablet Projection

- 1) Connect the mobile phone to the Wi-Fi hotspot of the receiver (System default Wi-Fi hotspot ID: 192.168.44.1, password: 12345678) ;
- 2) Pull out the control center;
- 3) Click "Screen Mirror", select the device and start the projection.



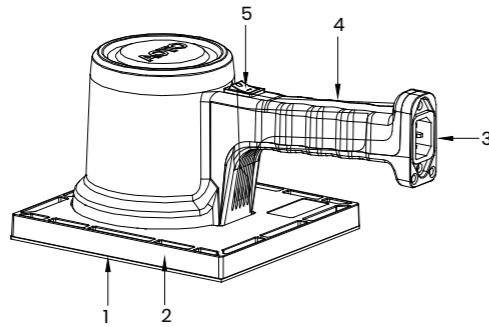
Maintenance

Precautions:

1. Before the maintenance of LED display, the power supply of the display must be cut off the power of the screen body during installation and maintenance to prevent electric shock and injury, and avoid short circuit of the live parts of the PCB board against the metal frame;
2. Please pay attention to protect the module surface when using the front maintenance tools, and do not damage the module surface;
3. Please pay attention to anti-static measures when using the front maintenance tools, and wear anti-static gloves to prevent static damage to LED;
4. Please pay attention to the battery power before using the front maintenance tools;
5. Pay attention to take out the module vertically to avoid damage and falling of LED lamp due to collision with edge of adjacent module.
6. Vacuum front maintenance tools cannot work continuously for a long time. After taking out the module, please turn off the power supply of vacuum front maintenance tools in time to avoid burning out the motor.

Display maintenance:

This product supports front LED panel maintenance. The tools required for front maintenance are vacuum front maintenance tools, as shown below:

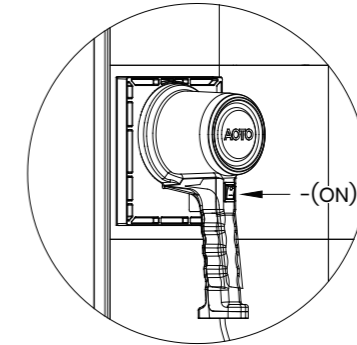


Serial	Describe	Remarks
1	Rubber ring of sucker	Ensure good sealing
2	Sucker	Seal between tools and LED panel
3	Power Line Interface	Connect the power cord
4	Handle	For holding bracket
5	ON/OFF	Switching power supply: "—" on; "O" off

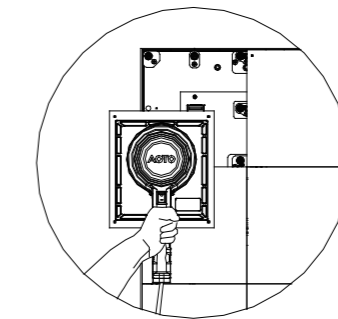
The main process of front display maintenance is as follows:

Step 1: Turn off the power of the display;

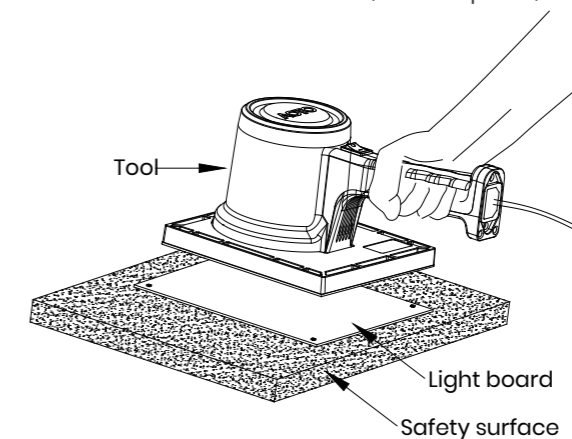
Step 2: Place the tool on the surface of the module after connected it to the AC power cord , press the switch and the mark "I" is facing downwards , then the tool starts to pump air;



Step 3: After about 3-5 seconds of air extraction, the vacuum sucker and the LED panel are tightly attached; Pull out the LED panel vertically by force. Hold the LED panel with one hand to prevent it from falling. Hold the vacuum sucker handle with the other hand. Make sure not to touch the adjacent LED panel when pulling out the LED panel, so as to avoid collision and damage to the LED;

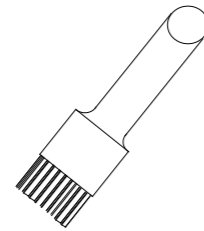


Step 4: Move the LED panel to the safety plane, press the switch key, and the switch mark "O" is facing downwards, remove the tool after adsorption force is released. At this time, the LED panel, HUB board and control card can be maintained.



Cleaning:

During the use of the product, dust or other stains may adhere to the surface of the cabinet, affecting the effect of the display, so the display needs to be cleaned regularly to ensure that it is in the best effect.



Anti-static brush

The cleaning steps of the product are as follows:

Step 1: Turn off the power of the display;

Step 2: confirm the dirty place of the cabinet

Step 3: use the anti-static brush to wipe the dirty place, and use the air gun to blow the clean place at the same time.

Note:

1. Do not use industrial grease cleaning agent or scrubbing brush in cleaning process;
2. Take anti-static measures to prevent the static electricity from damaging the LED;
3. Pay attention to keep the same wiping direction;

Troubleshooting

Failure	Analysis	Solutions
After HDMI cable is connected, there is no video signal input	Signal source mismatch	Signal source matching
	HDMI connection exception	Check the HDMI cable for poor contact and correct direction
	HDMI cable damaged	Replace HDMI cable
Blank screen	Check if the display is powered on	Power on
	Check the computer settings to ensure that the computer signal is output to the acquisition card (graphics card settings).	Correctly set the output mode of graphics card.
	Check whether the controller or indicator is working properly.	1. Replace the network cable. 2. Replace the controller 3. Replace the scan card
Disordered screen picture	Check whether the connection diagram is configured correctly	Reconfigure the connection diagram correctly.
The consecutive cabinet a does not light.	Check whether the unlighted cabinet is energized or whether the indicator is normal	1. Check whether the unlighted cabinet's power supply is working properly. 2. Check whether the first unlighted one is in good contact with the adjacent network cable. 3. Replace the first unlighted cabinet' scan card and consult the customer service staff for professional repair
LED unit product display is blank screen	1. Power indicator is not working properly 2. The running indicator does not flash normally or is always on. 3. The data cable is not connected properly. 4. Poor contact of the external power cord of the product	1. Check the data line 2. Check the product's external power cord 3. Replace the switching power supply 4. Replace the product's system scan card
LED unit product display is blurred	1. Data line is not connected properly 2. The product's operating program is lost	1. Resend the product configuration parameters in the existing Project file. Please contact customer service for details. 2. Replace the product's internal scan card; or re-upgrade the control card program, please consult customer service for detailed operation.
LED module has display failure	1. LED failure, IC failure 2. The module data port is loose and the contact is poor. 3. Module's color correction data is lost 4. Data port of HUB card is of poor contact	1. Replace the module, and consult customer service for professional repair service 2. Replace the HUB card and consult the customer service for professional repair service.
Projection failed	Network connection exception	After turning off the hotspot, turn on the hotspot again and connect again
Projection lag	Network channels are crowded and signals interfere with each other	Replace the channel. The specific operations are: Settings - Network - Set Hotspot - Channel Selection

Transportation and delivery

Transportation

Packed products are suitable for air freight, shipment, and inland transport. It is not allowed to be loaded in an open cabin or compartment during long-distance transportation and shall not be stored in the open warehouse during midway transportation. It is not allowed to ship with inflammable, explosive, and corrosive articles in the same vehicle (or other means of transportation) during transportation, and it is necessary to protect the products from rain, snow or other liquid substances and mechanical damage.

Storage

During storage, the products shall be stored in the original packing box. The environmental temperature of the warehouse where the products are stored is 20 °C ~ 30 °C, the relative humidity is <60%RH with no condensation. No hazardous gases, inflammable and explosive products and corrosive chemicals are allowed in the warehouse, and there is no strong mechanical vibration, impact, or magnetic field.

Note:

Risk of damage to the device!

1. Attention should be paid to extreme changes in temperature when transporting the box in cold weather. In this case, make sure there is no droplets (condensation) on or inside the device. If condensation on the device, Before turning on the device, contact customer service personnel to guide related operations, and ventilate and dry it. Do not power on without authorization.
2. Keep the storage environment ventilated if the box is wet. After the box is dry, put it back in the original packing box for storage.
3. Unpack and inspect the deliveries.

Unpacking

Please note the following when unpacking:

1. It is recommended that Do Not discard the original packaging material. Please keep the original packaging materials for use during new transportation.
2. Keep your documents in a safe place. This document is required for commissioning the device and is part of the device.
3. Please store the documents in a safe place. This document is needed when presenting the equipment for debugging, and it is part of the equipment.
4. Check the delivered device for any obvious damage during transportation.
5. Verify that the goods shipped contains the complete device and accessories you ordered separately. If there is any discrepancy or damage during transportation, please contact customer service.
6. The product should not be exposed to the installation site under construction for a long time after unpacking.

Warranty

1. The warranty of the product is subject to the contract signed by both parties;
2. Product failures caused by the following conditions are not covered by the warranty:
 - All human damage, self-modification, modification and upgrade, online burning;
 - Exceeding the effective warranty period and coverage; the warranty is inconsistent, altered, or lost;
 - Any damage or changes of warranty caused by force majeure;
 - Excessive product loss or malfunction due to unsuitable environment of use;
 - Other failures caused by reasons other than normal loss (normal loss refers to the loss of the product itself, parts, and software systems, etc. that occur under the premise of this document);
3. AOTO is not responsible for any personal, property or other damages caused by the failure of contents below of this document, including but not limited to instructions, steps, specifications, warnings, etc.

Recycling of discarded goods

Improper disposal of discarded goods may harm personal safety or damage the natural environment. Consumers are advised to follow local regulations on safety and environmental protection and send the product to a local dealer or a qualified waste recycling department for disposal when the product is discarded, In order to avoid pollution to the environment and improve the recycling rate of materials.



Shenzhen AOTO Electronics Co., Ltd.

Headquarter: 9-10F, High-Tech Zone Union Tower, No. 63,

Xuefu Road, Nanshan District, Shenzhen, Guangdong, China

Factory: 7, Yongda Road, West District, Dayawan Development Zone, Huizhou, China.

Tel: +86-755-2671 9871

Fax: +86-755-2671 9871

Hotline: 400 888 9900

E-mail: led@aoto.com

www.aoto.com