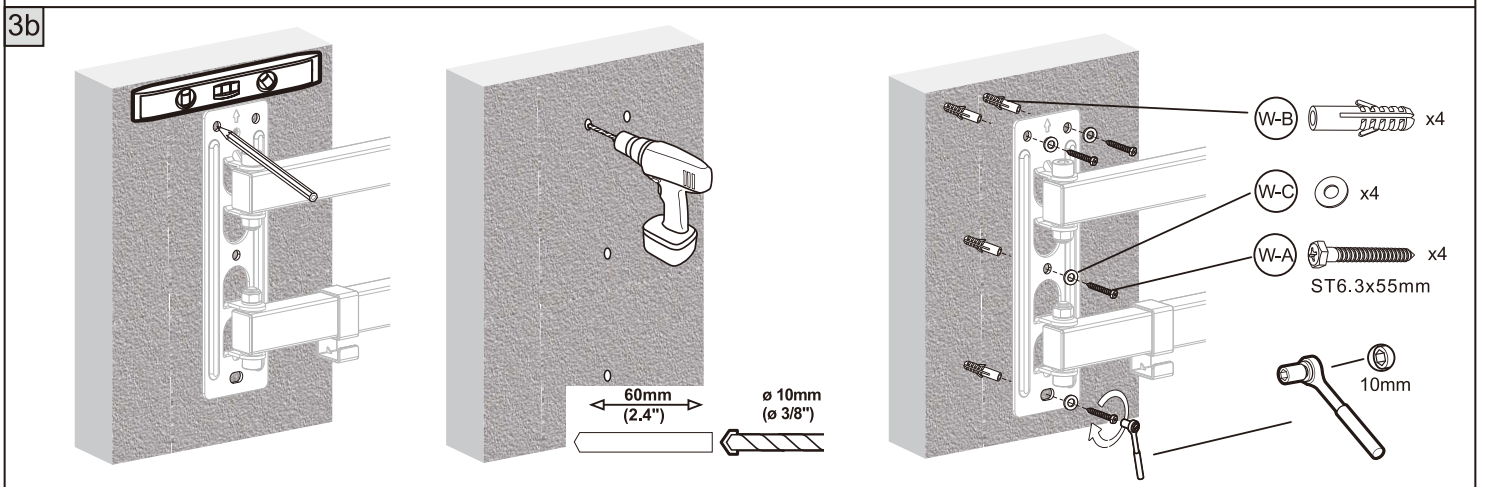
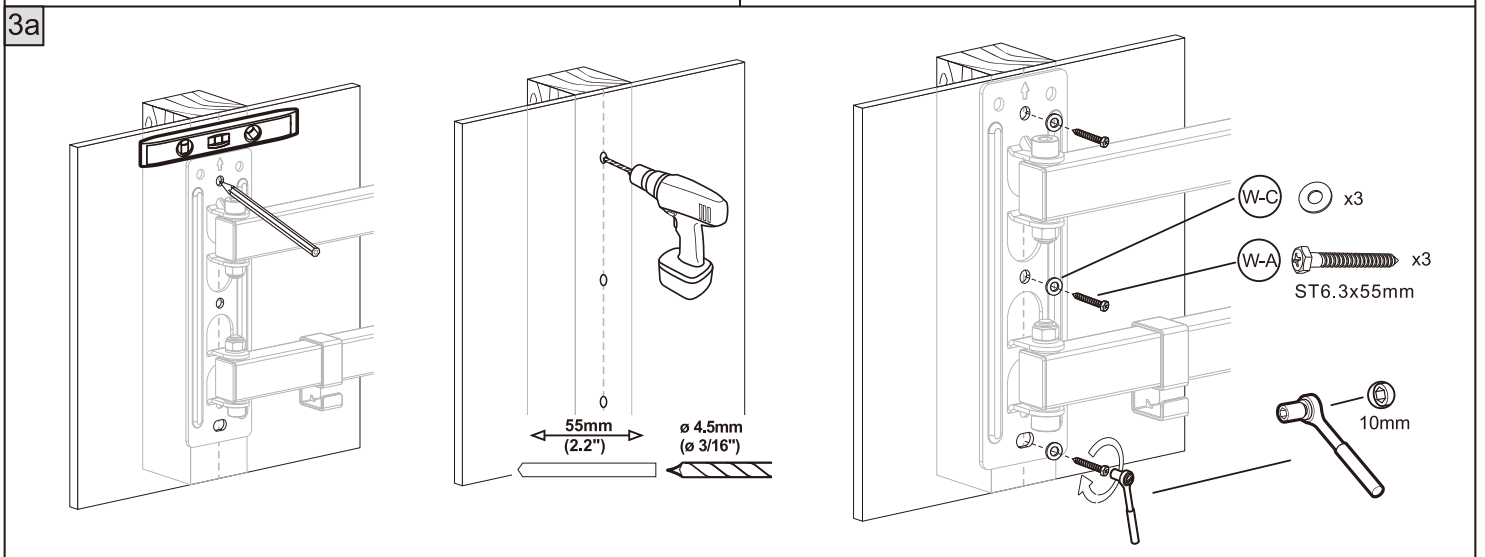
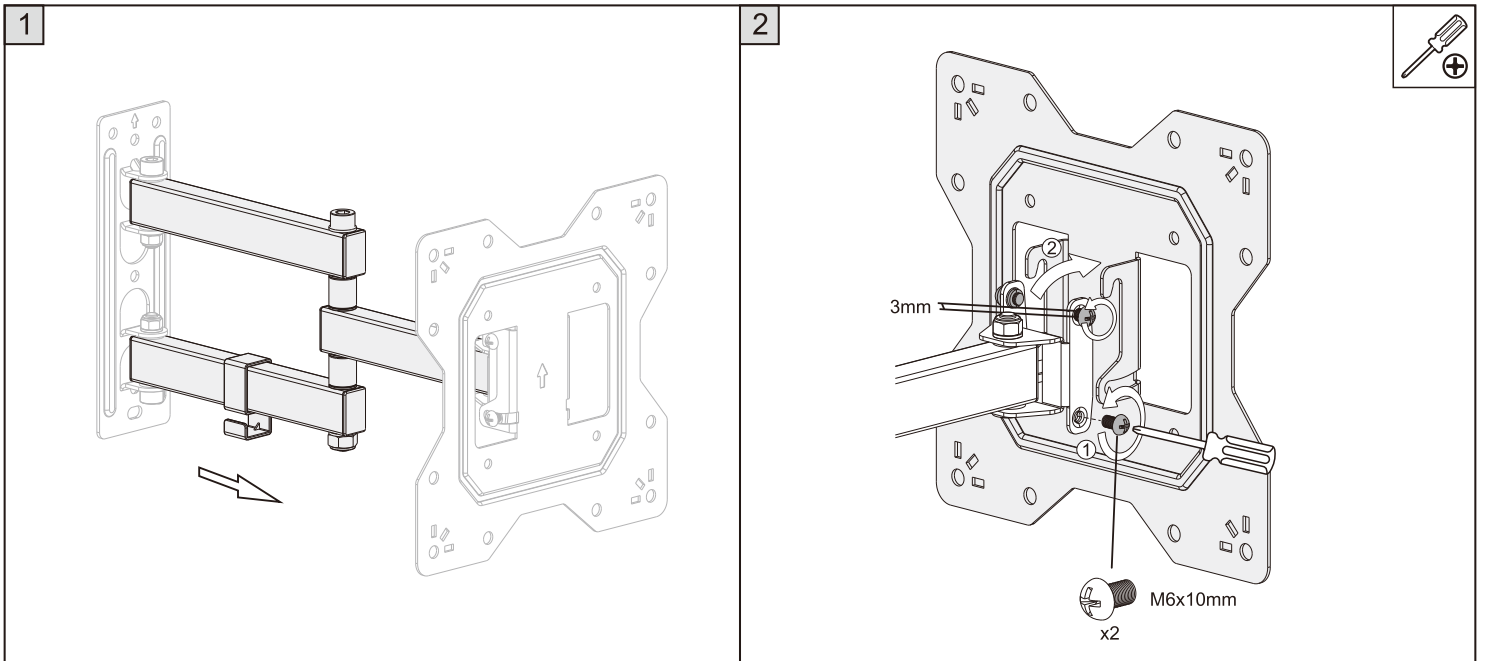


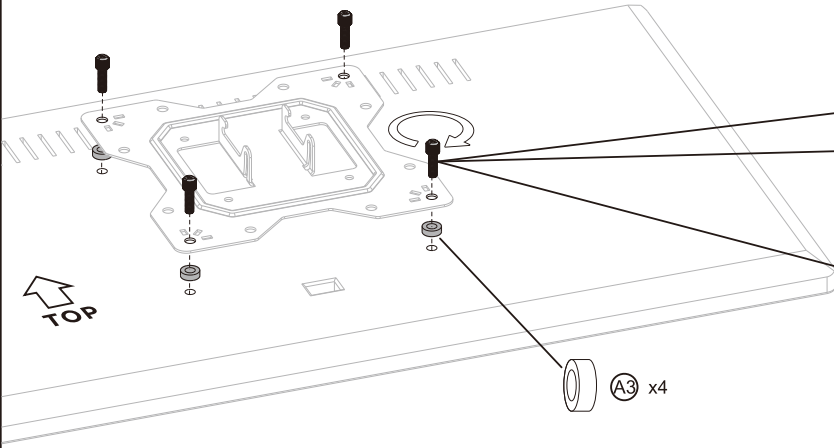
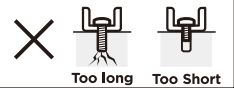
VISION

VFM-WA2X2/3

vav.link/vfm-wa2x2-3/



4

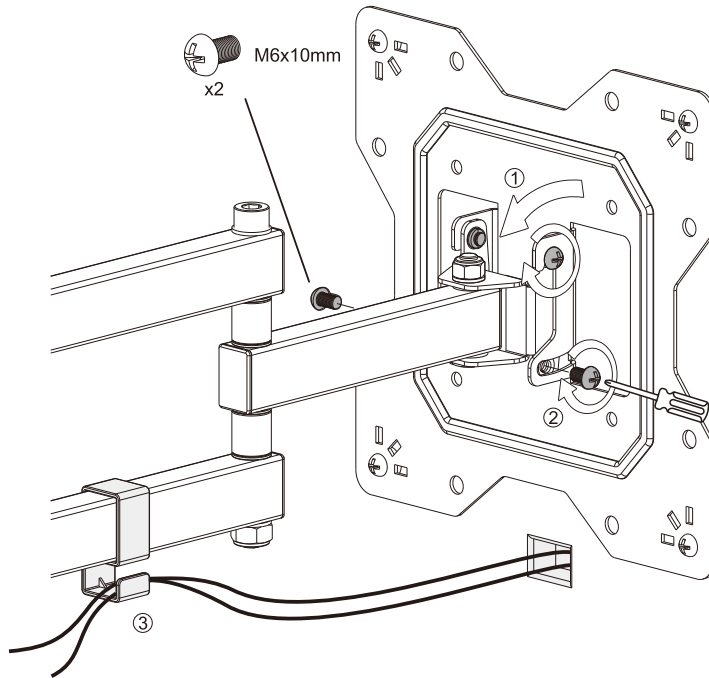


OPTIONAL

- A1
- A2 A3
- x4
A1: M6x14mm
A2: M8x20mm
- A4
- x4
A4: M8x40mm

If you use a Samsung TV with deeper VESA holes, please use M8x40 screws and Samsung spacers. (these spacers are included with Samsung TV)

5



6

